



PF30 INSTALLATION INSTRUCTIONS

FOR MORE INFO VISIT: BYTHEHIVE.COM/SUPPORT

INSTALLATION:

1

INSTALL TOOL x1

1a

1b

DRIVE

BB SEAL x2

NON DRIVE BB CUP x1

1.0 N/D BB SPACER x1

3.5 D/S BB SPACER x1

DRIVE BB CUP x1

x5 SPINDLE SPACER

x1 FINE TUNE SPINDLE SPACER

x1 WAVE WASHER

INSTALLATION:

2

BB SPACER CHART		NON DRIVE SIDE	DRIVE SIDE
2a	DH CRANKSET	1.0MM / 73&83MM BB	3.5MM / 73&83MM BB
	XC CRANKSET	NO SPACER	NO SPACER

2c Gap / Spacers	
Start with: 0x1	
0.5-1.0mm	
1.0-1.5mm	
1.5-2.0mm	
2.0-2.5mm	
Gap should not exceed 2.5mm	

2b

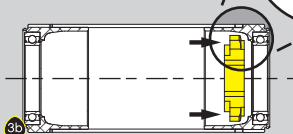
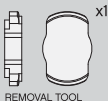
2c

Use thin spindle spacer(x1) to fine tune spacing.

- 1) Remove PF30 bearing shields(1a) and apply grease to bottom bracket cup (1b). Check number of required BB spacers(2a).
- 2) Press the PF30 BB cups and spacers(2a) one cup at a time into the BB shell using the provided PF30 install tool taking care not to damage the BB cup face(1b).
- 3) Install crankset (see e*thirteen crankset manual) and crankset spindle spacers. Use chart 2c to determine number of spindle spacers needed.

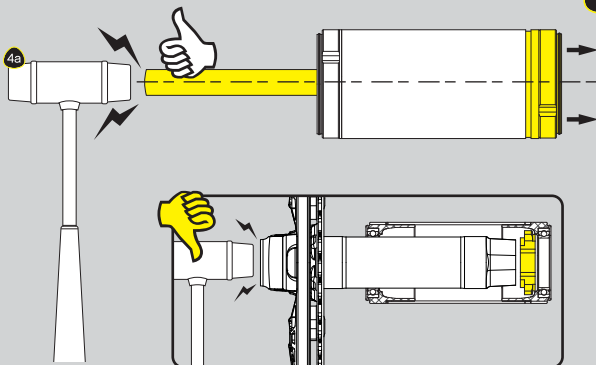
REMOVAL:

3



REMOVAL:

4



- 1) Remove PF30 bearing shields(3a) and insert BB removal tool.
- 2) Use a punch to remove PF30 BB cups from the BB shell(4a). Do not use the spindle as this may damage the polygon interface.