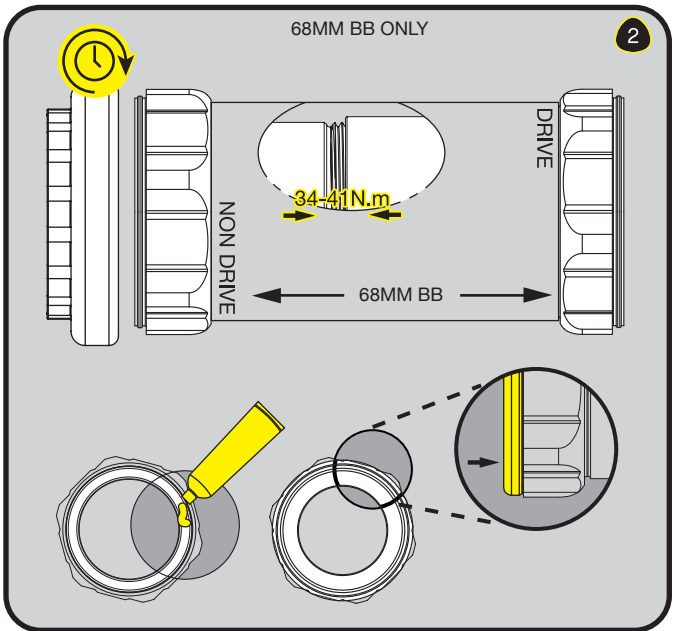
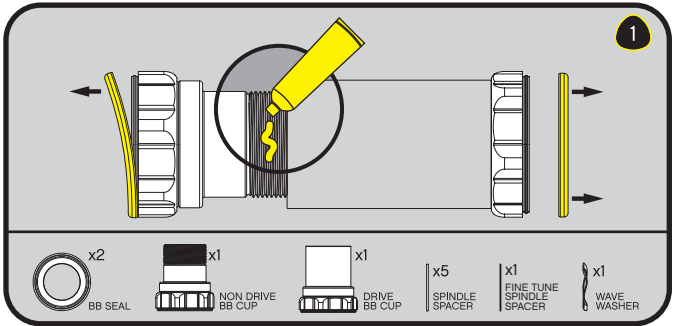




BB30 INSTALLATION INSTRUCTIONS

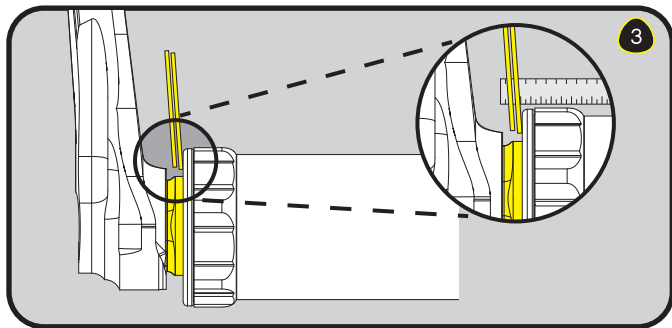
FOR MORE INFO VISIT: BYTHEHIVE.COM/SUPPORT










BB30 INSTALLATION INSTRUCTIONS


FOR MORE INFO VISIT: BYTHEHIVE.COM/SUPPORT



e*thirteen components

thehive 405 East D St. Ste.C
Petaluma, CA 94952
1.800.801.9936
bythehive.com

Gap	Spacers
Start with:  x1	
0.5-1.0mm	
1.0-1.5mm	
1.5-2.0mm	
2.0-2.5mm	
Gap should not exceed 2.5mm	

 Use thin spindle spacer to fine tune