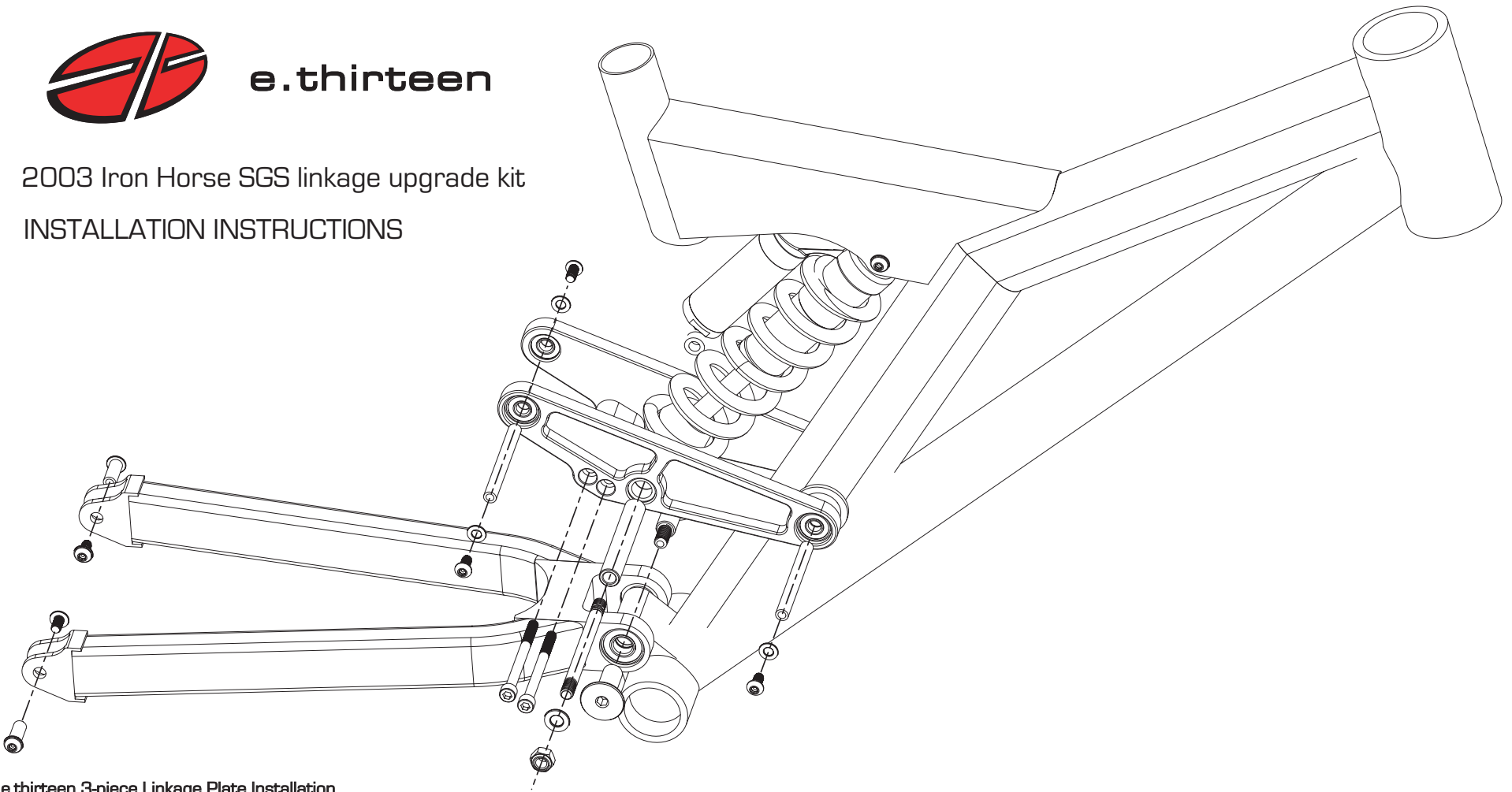




e.thirteen

2003 Iron Horse SGS linkage upgrade kit

## INSTALLATION INSTRUCTIONS



### e.thirteen 3-piece Linkage Plate Installation

1. Remove lower shock mount bolt and hardware as shown
2. Remove front and rear linkage pivot hardware, and linkage plates making sure to retain all washers and spacers
3. Assemble the 2004 linkage plates to the shock lower eyelet. Insert cross brace, but do not insert cross brace bolts yet
4. Reinstall front and rear linkage pivots. Make sure to use the aluminum spacers behind the bearings exactly the same way they came out of the 2003 links of the 2003 links.
5. Reinstall lower shock bolt and insert shouldered cross brace bolts. Use blue loctite on all bolts.
6. Tighten all bolts to Iron Horse specification as shown in user manual

### Chainstay

1. Remove the drive side crank arm
2. Remove main pivot bolts. Be careful to retain all hardware
3. Remove chainstay pivot bolts. Be careful to retain all hardware
4. Reinstall the main pivot with 2004 the chainstay. Make sure to use the aluminum spacers between the bearing and the frame
5. Reinstall chainstay pivots as shown. Make sure to use the aluminum spacers in the same locations as on the 2003 chainstay.
6. Tighten all bolts to Iron Horse specification as shown in user manual